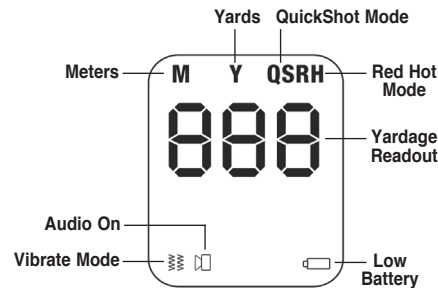


The rangefinder gets a reading only some of the time.

- First, make sure the reflector is clean and free of any obstructions, including mud, leaves, or excessive calcium/salt buildup. Also make sure that nothing is blocking the sending or receiving lenses of the rangefinder, such as your finger.
- In many cases, a slight change in user behavior will make the unit perform perfectly, and using the OPERATING INSTRUCTIONS procedure outlined earlier will often solve the problem. If you continue to have difficulties getting readings, please contact Laser Link Golf for help.



CHANGING RANGEFINDER SETTINGS

The default rangefinder settings are – measure in yards, audio tone for confirmation. However, you can customize your settings by following the instructions below.

1. With the rangefinder in the off position, hold the rangefinder with the LCD facing you.
2. PRESS AND HOLD the power button. After ten seconds of holding the button, a countdown clock will appear on the LCD. After you have held the button for sixty seconds, you will hear three fast tones.
3. You are now able to cycle through the various rangefinder settings by pressing and releasing the power button located under your trigger finger. As you press and release the button, you will see various icons appear on the LCD. A diagram of these icons is located in this manual.
4. In order to program the rangefinder to your desired settings, cycle through the various settings (by pressing and releasing the power button) until you find the appropriate icons. When you find your settings, simply wait for approximately five seconds and the rangefinder will emit four fast tones. This indicates that you have programmed your new settings.

EXAMPLE: Change from yards with audio to yards with vibrate.

Follow steps 1-3. At step 4, cycle through the setting icons until you see “Y” at the top of the screen and (🔊) on the bottom left of the screen. When you see these icons, wait for the four fast tones and your new setting will be programmed.

SPECIFICATIONS

Product:	Switch
Model:	LLS-1200
Dimensions:	6.5” x 1.5” x 3.5”
Weight (with battery):	8 oz.
Power Source:	9-Volt Alkaline
QS Mode Range:	25-600 yards (23-549 meters)
RH Mode range w/ LLG reflector:	4 – 900 yards (4-823 meters)
RH Mode range without reflector:	4 – 600 yards (4-549 meters)
Accuracy:	+/- 1 yard
Display:	LCD

Class One laser

The product complies with CFR 21.1040.10.

Carrying case and 9-volt alkaline battery included.

ONE YEAR LIMITED WARRANTY

LASER LINK GOLF warrants to the original consumer purchaser thereof all parts of the Switch Rangefinder to be free from defects in materials or factory workmanship for a period of one (1) year from the date of original purchase by the consumer. LASER LINK GOLF will, at its option, replace or repair this product or any part thereof, except batteries, if it proves to be defective under normal use and service within one (1) year from date of original purchase. LASER LINK GOLF's only obligation under this warranty is to repair or replace the defective

product or any part thereof, except batteries, when it is returned together with proof of date of purchase, transportation prepaid, to LASER LINK GOLF within one (1) year from the date of original purchase.

To obtain warranty service, contact Laser Link Golf at (866) 909-4653 to obtain Return Authorization, or send an email to customerservice@laserlinkgolf.com. Instructions for return will be provided by the company. Your product will be shipped to:

Laser Link Golf
Attn: Repair Department
4027 Owl Creek Drive
Madison, WI 53718

On any accompanying correspondence, be sure to include the model number of the rangefinder, the Return Authorization number, your name, your mailing address, your email address, and your phone number.

THERE ARE NO OTHER EXPRESS WARRANTIES OTHER THAN THOSE STATED HEREIN. THIS WARRANTY GIVES YOU SPECIFIC LEGAL RIGHTS AND YOU MAY ALSO HAVE OTHER RIGHTS WHICH VARY FROM STATE TO STATE. ANY IMPLIED WARRANTIES, INCLUDING WARRANTIES OF MERCHANTABILITY AND FITNESS FOR A PARTICULAR PURPOSE, SHALL BE LIMITED IN DURATION TO THE PERIOD OF TIME SET FORTH ABOVE. LASER LINK GOLF SHALL NOT BE RESPONSIBLE FOR INCIDENTAL OR CONSEQUENTIAL DAMAGES. SOME STATES DO NOT ALLOW LIMITATIONS ON HOW LONG AN IMPLIED WARRANTY LASTS OR THE EXCLUSION OR LIMITATION OF INCIDENTAL OR CONSEQUENTIAL DAMAGES, SO THE ABOVE LIMITATIONS OR EXCLUSION MAY NOT APPLY TO YOU. LASER LINK GOLF NEITHER ASSUMES NOR AUTHORIZES ANYONE TO ASSUME FOR IT ANY OTHER EXPRESS WARRANTY.

THIS WARRANTY DOES NOT APPLY TO ANY ACCESSORIES NOR TO ANY PRODUCT SUBJECTED TO MISUSE, NEGLIGENT OR ACCIDENTAL DAMAGE, IMPROPER SERVICE OR HANDLING, NOR TO ANY PRODUCTS ALTERED OR REPAIRED BY ANY PERSON OR COMPANY OTHER THAN LASER LINK GOLF.

The Switch Rangefinder is sealed at the factory and cannot be opened. Any attempt to open the case will damage the unit and will void the Limited Warranty.



Phone: (608) 838-3100 • Toll Free: 866-909-4653
www.laserlinkgolf.com



Model Number: LLS-1200

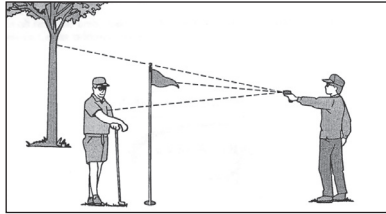
Instruction Manual and Warranty Information



Don't forget to register your rangefinder. Visit
www.laserlinkgolf.com/contact/register to learn the benefits.

Congratulations on your purchase of the Switch Laser Rangefinder by Laser Link Golf! By selecting the Switch, you have really acquired two unique rangefinders combined into one simple to use package. You can choose the simplicity and ease-of-use of our QuickShot rangefinder or the versatility and power of the Red Hot rangefinder, and it's all done with the simple flip of a switch. It's everything you need to play your best.

To learn more about Switch and about the Laser Link Distance System, please read through the instruction manual.

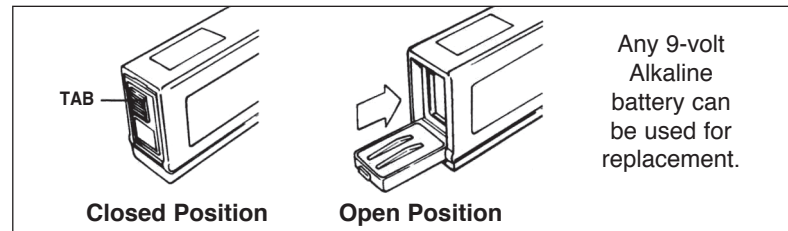


STARTING OUT

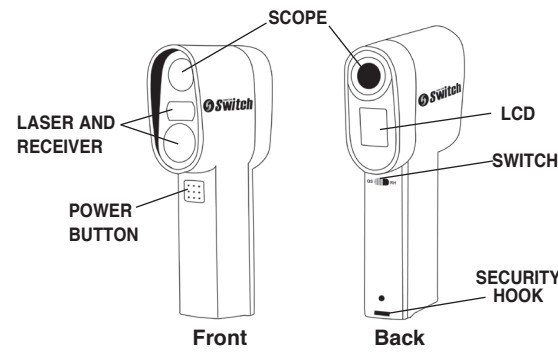
The Battery

Your Switch rangefinder comes equipped with a 9-volt alkaline battery. To install the battery:

1. Open the battery door at the bottom of the rangefinder by sliding the tab.
2. Be sure to install the battery correctly by lining up the small (positive) node of the battery with the smaller-sized connector inside the rangefinder. If installed correctly, the positive node of the battery will be closer to the front of the rangefinder, and the battery door will close easily.



When the battery runs low on power, a low battery indicator (⏻) will appear on the LCD screen. When replacing the battery, use only a 9-VOLT ALKALINE BATTERY. Do not use heavy duty or lithium batteries.



OPERATING INSTRUCTIONS

The Switch rangefinder will allow you to measure in two distinct measurement modes – QS Mode (QuickShot Mode) and RH Mode (Red Hot Mode). The mode is chosen using the sliding switch located just under the LCD screen (see diagram).

QS Mode – Measures distance to Laser Link reflectors only. Measurement range in QS Mode is 25-600 yards (23-549 meters).

RH Mode – Measures distance to all landmarks on the golf course, including Laser Link reflectors. Measurement range in RH Mode is 4- 900 yards (4-823 meters).

NOTE: The maximum range of the Switch rangefinder can depend on several factors, including target characteristics and environmental conditions. For instance, longer maximum distances may be obtained to targets that are large in size, brightly colored, or have a shiny finish. Ranging capability can also be affected by lighting conditions (low light/overcast days will provide best performance) and the angle to the target (i.e. a target at a 90-degree angle to the laser pulses will provide better measurement characteristics than a target at a 45-degree angle.)

To Use:

1. Hold the rangefinder with the LCD screen facing you.
2. Choose the desired mode by sliding the switch to QS or RH. The switch is located just below the LCD screen. ***You cannot switch modes while the laser is firing.***

3. Bring the rangefinder up to eye level and aim the scope in the direction of your target. As you look through the scope, place your intended target inside the Zero-In Alignment circle.
4. The Switch operates on a “PRESS TO AIM, RELEASE TO FIRE” mechanism. Press and hold the power button located under your trigger finger. You will see the red dot aiming guide appear in the scope. Place this red dot inside the Zero-In Alignment circle so that your target, the circle, and the red dot are aligned.
5. RELEASE the power button to fire the laser. Your distance measurement will be displayed on the LCD.

NOTE: The red dot in the scope is simply an aiming reference, not the actual laser.

ZERO-IN ALIGNMENT SYSTEM (ZAS)

The Switch is equipped with the Zero-In Alignment System (ZAS). Using ZAS properly will help you to align the rangefinder with your intended target. While looking through the scope, place your intended target inside the ZAS alignment circle located on the forward lens. Hold down the power button to power the red dot aiming reference. Place the red dot inside the ZAS alignment circle so that your target, the circle, and the red dot are aligned. Release the power button to fire the laser.

OPERATION NOTES:

- **Auto Shutoff** - The Switch has an automatic shutoff function that will send the unit to sleep mode after approximately six seconds.
- **Weather Conditions** - Rain and fog can have an effect on performance of the rangefinder. The thicker the fog or the stronger the rain, the higher the chance for limited ranging capabilities.
- **Temperature Extremes** - Do not expose the rangefinder to extreme heat or extreme cold for long periods of time. Everyday use and travel are acceptable, and will not affect the rangefinder itself. However, long-term storage in extreme temperatures can have an effect on the rangefinder, battery performance, and/or battery life.
- **Water Resistance** - The Switch casing is water resistant, and is lined at all access points with rubber seals to help prevent water entry. DO NOT submerge the rangefinder in water.

MAINTENANCE

- To clean the lenses and the forward/rear faceplates, use a soft, clean cloth, such as you would use on eyeglasses. Both the lenses and faceplates can be scratched, so DO NOT use a hard-bristled brush. DO NOT use liquid of any kind to clean these areas.
- Use only a small amount of mild soap and water to clean the outer shell of the rangefinder. DO NOT use alcohol-based cleaners. DO NOT submerge in liquid or get the unit overly wet. DO NOT use abrasive cleaners.
- DO NOT bring the rangefinder into contact with sunscreens that contain alcohol.
- It is recommended that the rangefinder be stored in its carrying case when not in use.

TROUBLESHOOTING

Issues that you encounter with any of our Laser Link rangefinders are often easily solved without returning the unit to Laser Link Golf. In many cases, the remedy can be as simple as changing the battery, and we recommend that this be done prior to returning the product to the company.

The rangefinder is reading an incorrect yardage.

- Check to see if the low battery indicator (⏻) is present on the LCD screen. The lack of adequate power can cause yardage measurements to be compromised. If the indicator is present, change the battery.
- The rangefinder is capable of reading measurements in both yards and meters. Occasionally, the user will accidentally change the measurement setting, causing him/her to believe the product is measuring incorrect distance. You can determine if the product is measuring in yards or meters by pressing the power button and noticing if a Y or an M appears on the screen. Instructions on how to change the setting are included in this manual.